



# LAN Cabling

---

รศ. ดร. อนันต์ พลเพิ่ม

Asso. Prof. Anan Phonphoem, Ph.D.

[anan@cpe.ku.ac.th](mailto:anan@cpe.ku.ac.th)

<http://www.cpe.ku.ac.th/~anan>

Computer Engineering Department

Kasetsart University, Bangkok, Thailand



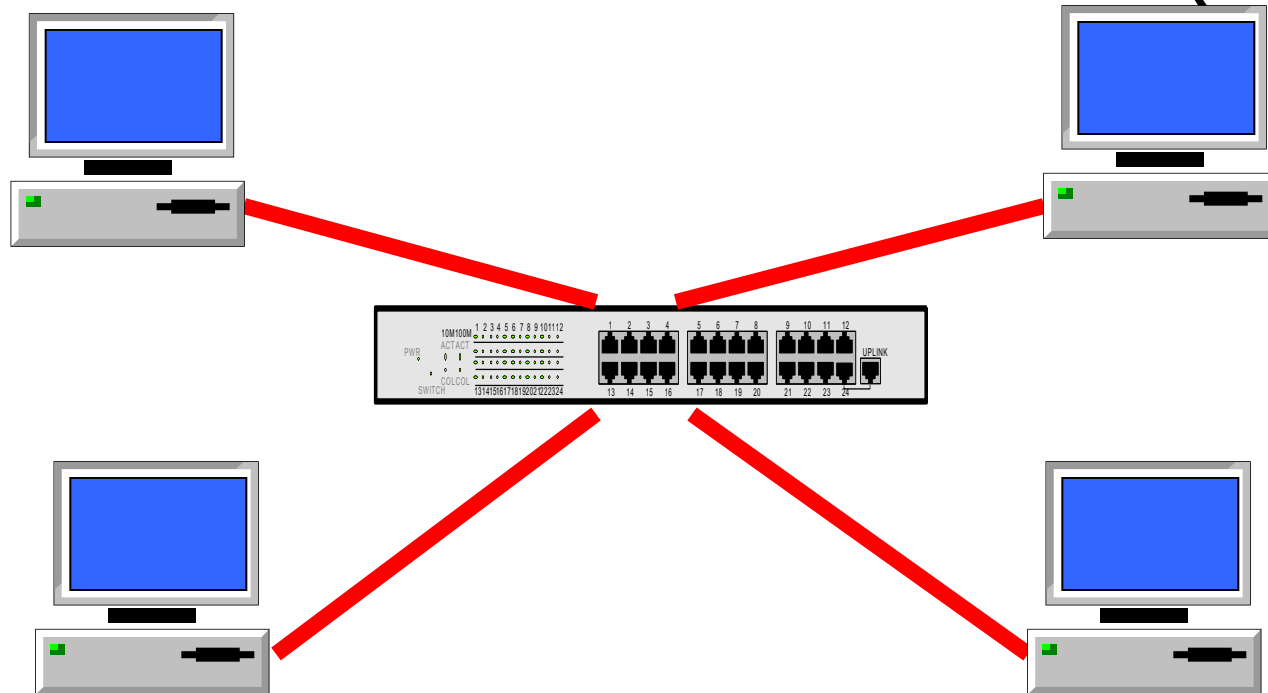
# Dominated LAN Architectures

---

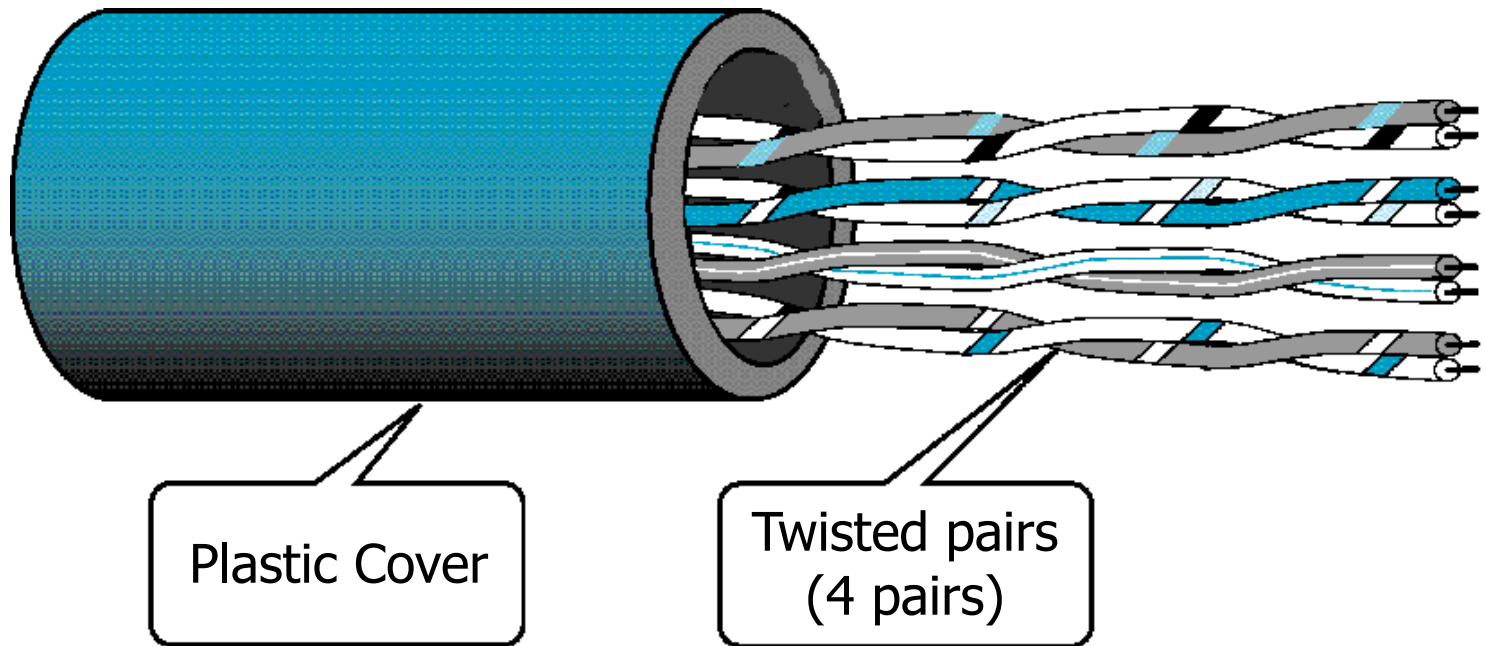
- Ethernet
  - Star
  - Bus
- Token ring
- Token Bus
- FDDI

# Star Topology

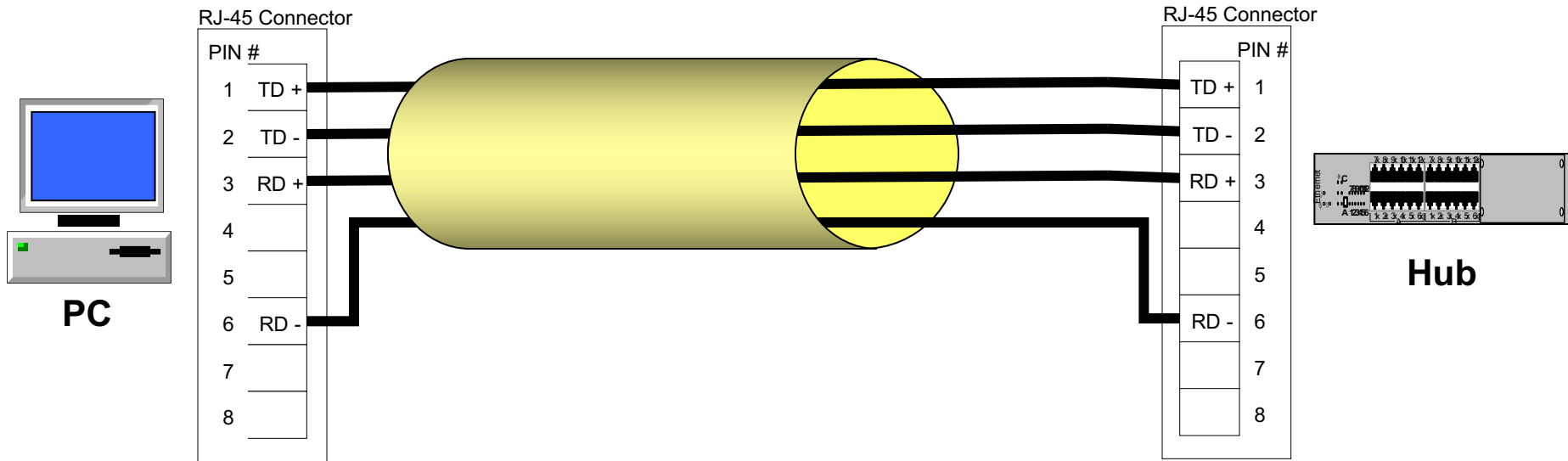
- Each device has a dedicated point-to-point link to a central controller (Hub)



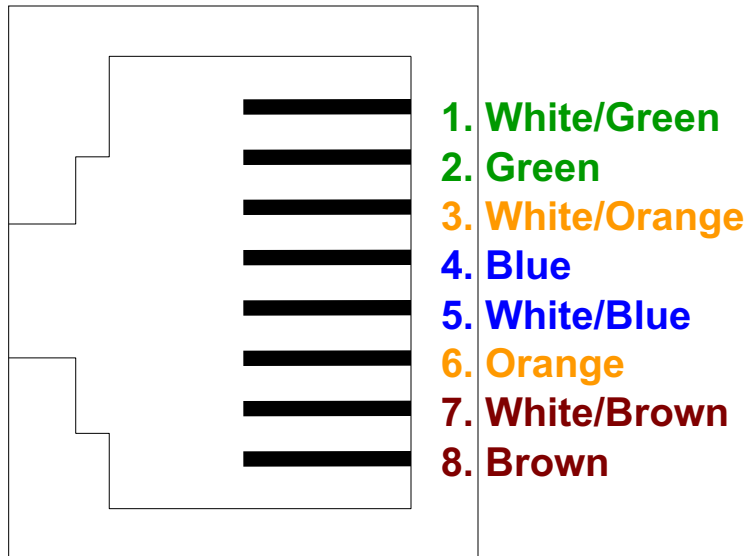
# Unshielded Twisted Pair Cable



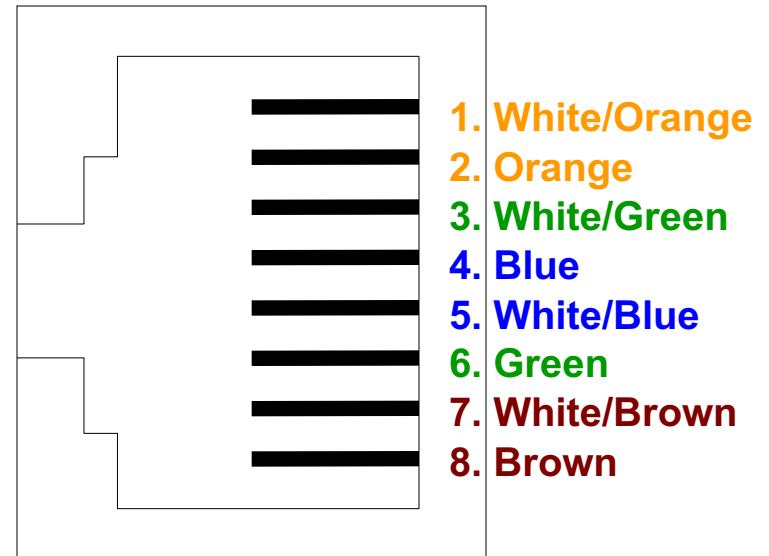
# Ethernet Straight-Thru Cable



# RJ-45 Color Code

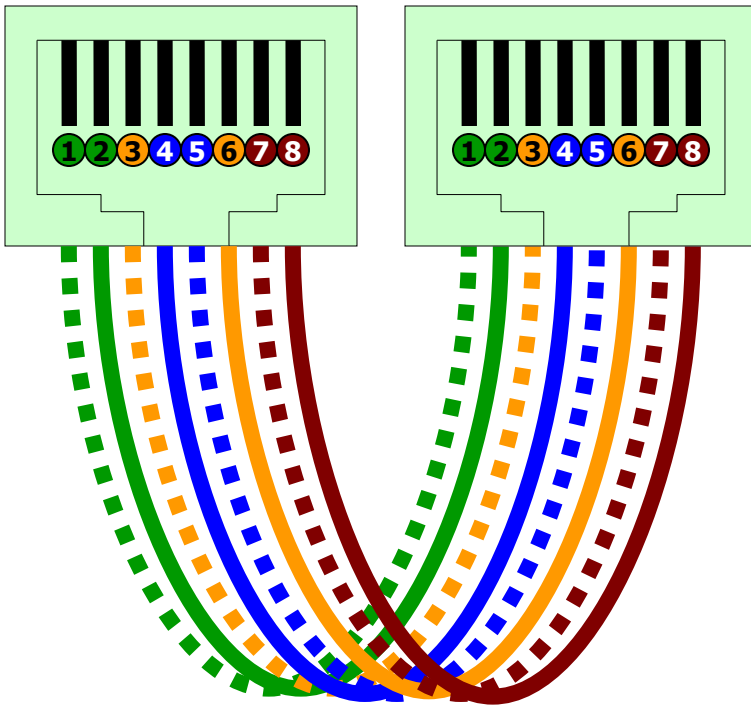


**EIA/TIA 568 A**

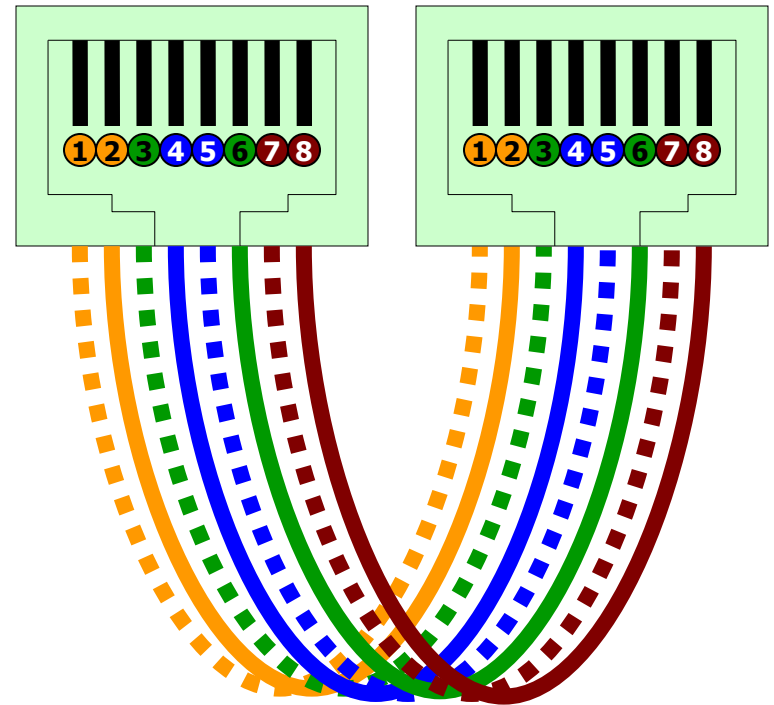


**EIA/TIA 568 B**

# Straight-Thru Cable

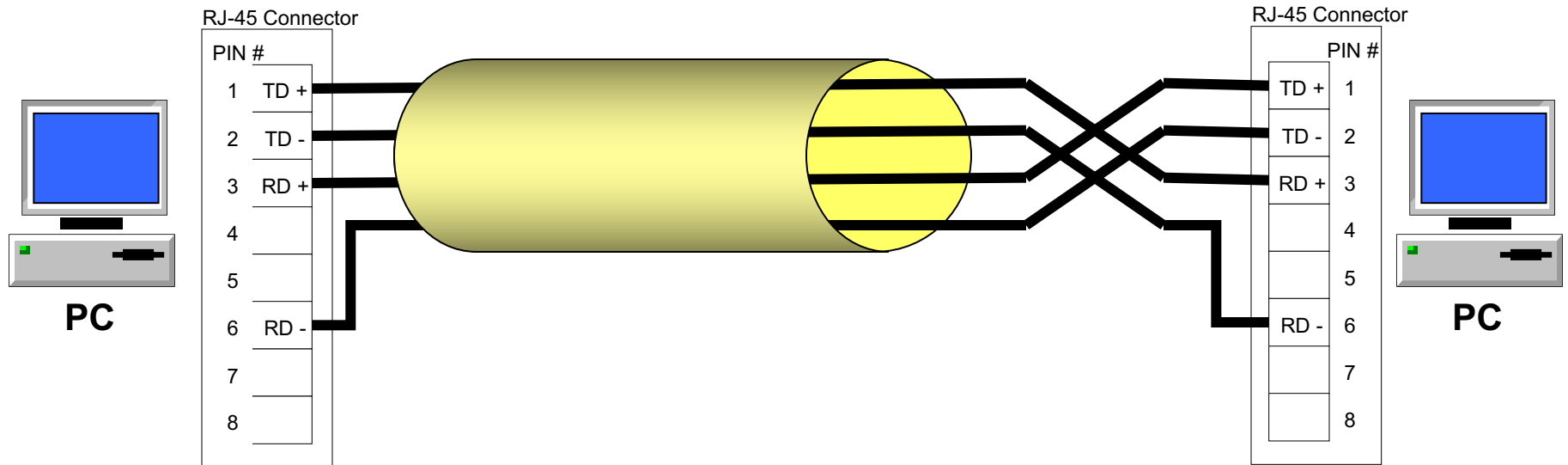


EIA/TIA 568 A



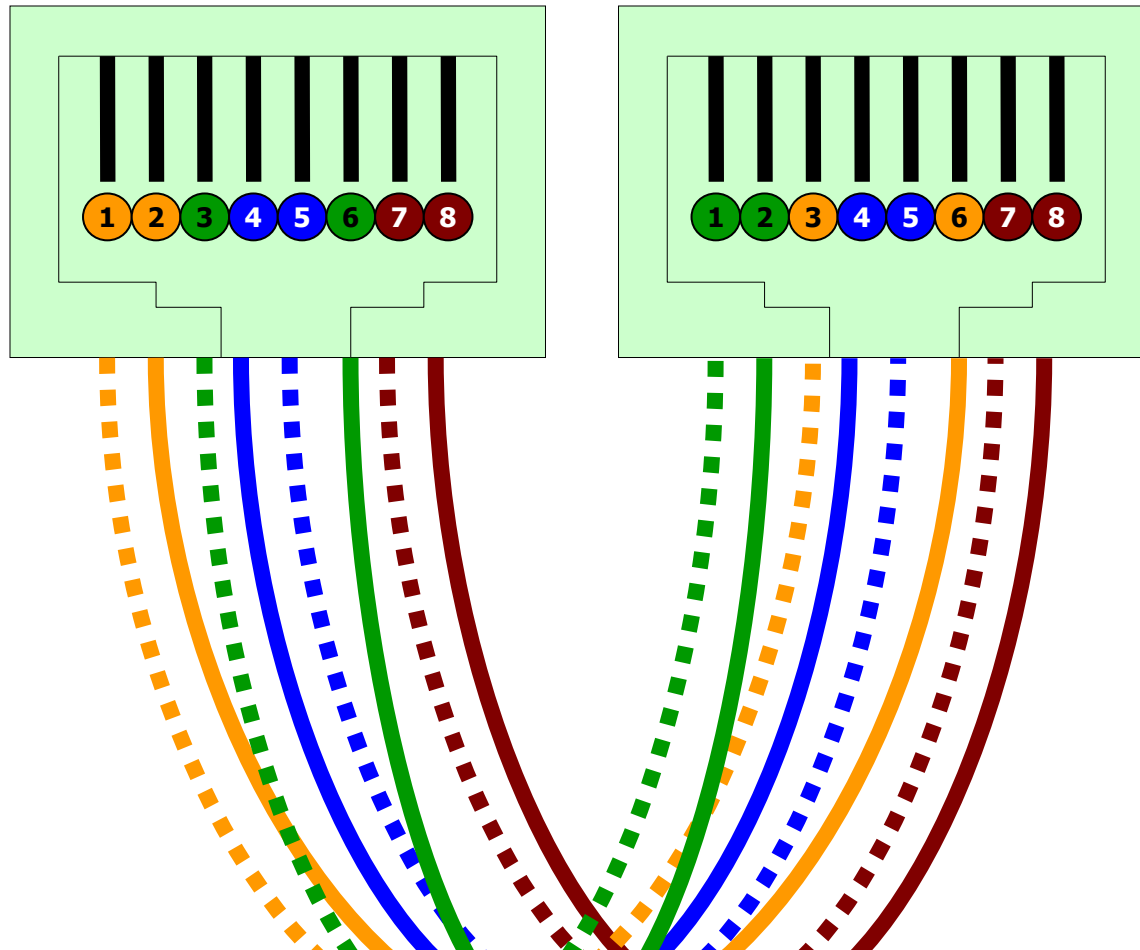
EIA/TIA 568 B

# Ethernet Crossover Cable





# Crossover Cable



# Rollover Cable

