



LAN Cabling

รศ. ดร. อนันต์ พลเพิ่ม

Asso. Prof. Anan Phonphoem, Ph.D.

anan@cpe.ku.ac.th

<http://www.cpe.ku.ac.th/~anan>

Computer Engineering Department

Kasetsart University, Bangkok, Thailand

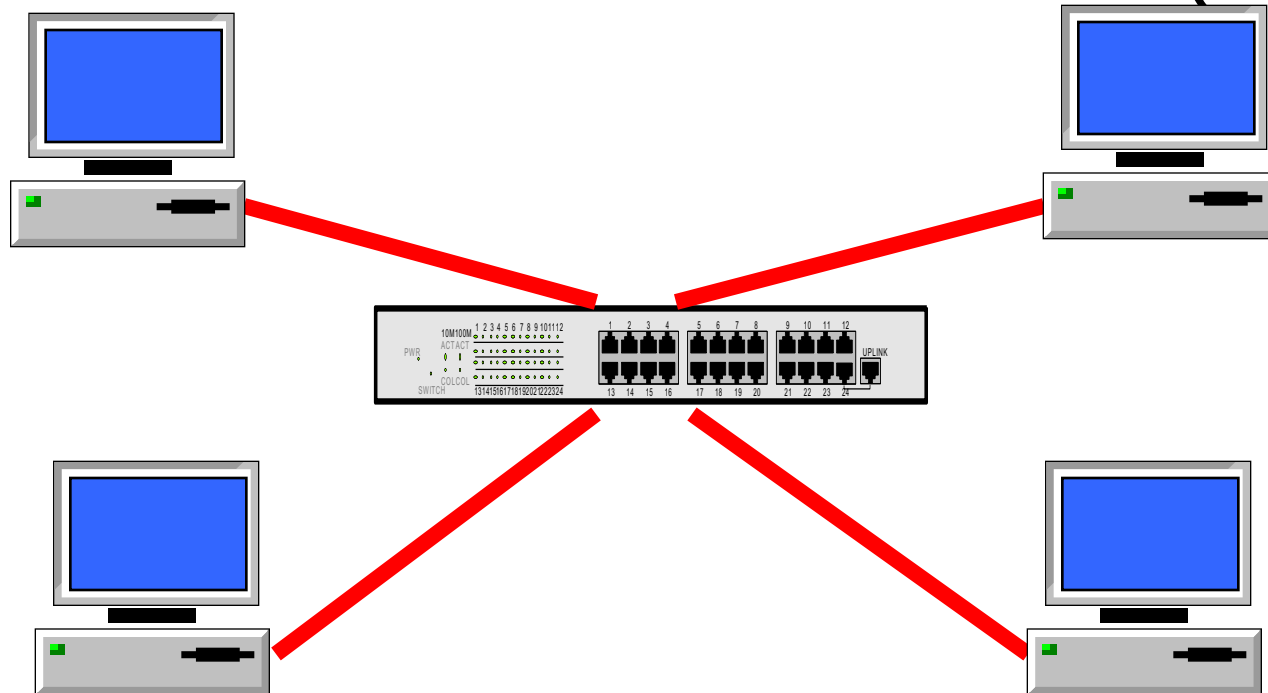


Dominated LAN Architectures

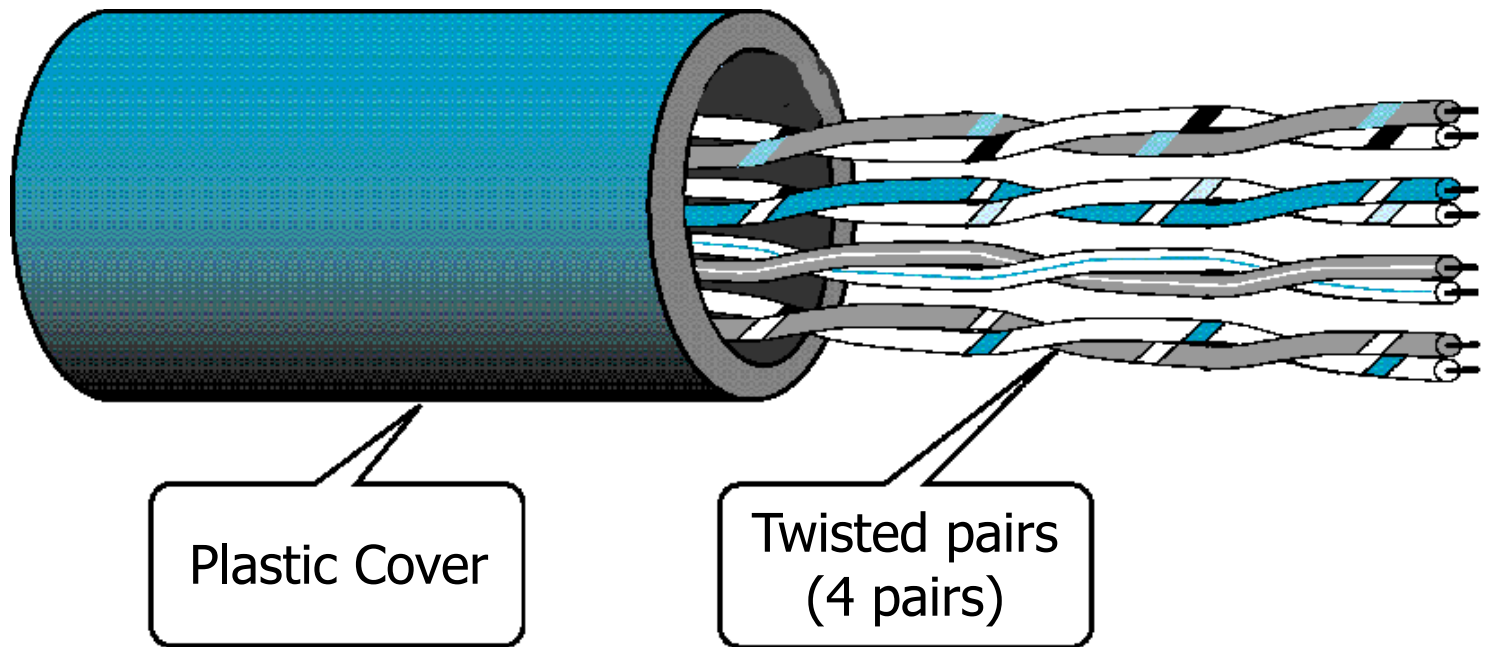
- Ethernet
 - Star
 - Bus
- Token ring
- Token Bus
- FDDI

Star Topology

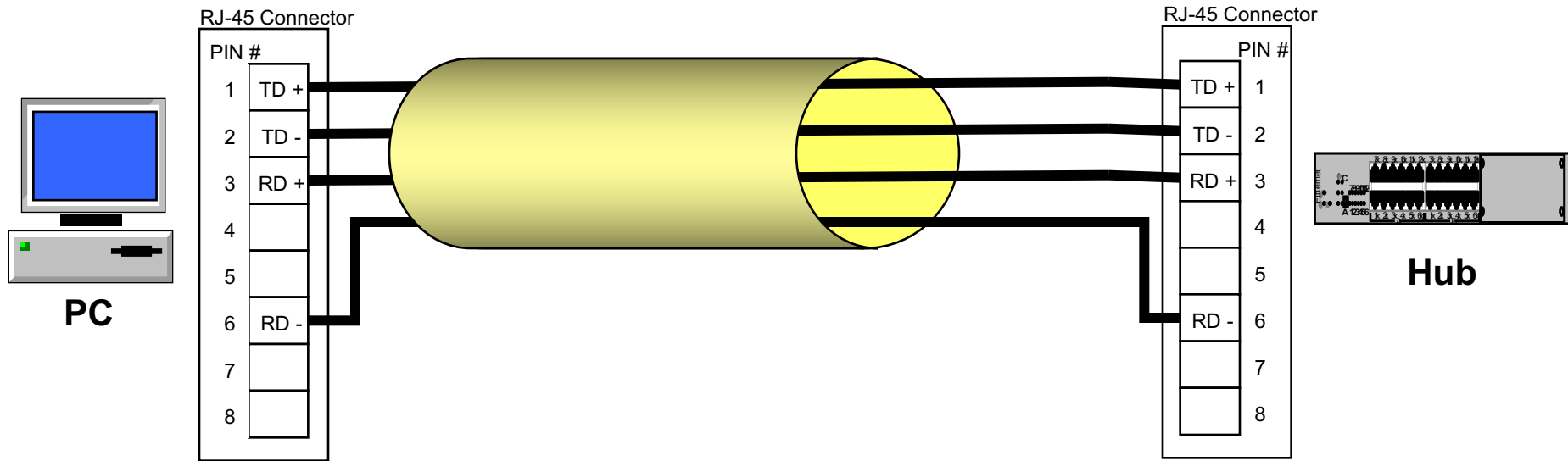
- Each device has a dedicated point-to-point link to a central controller (Hub)



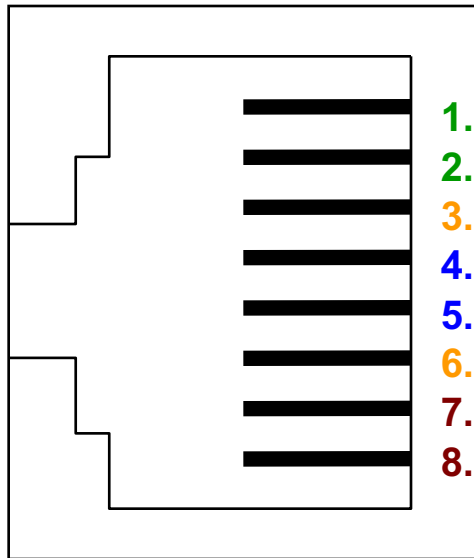
Unshielded Twisted Pair Cable



Ethernet Straight-Thru Cable

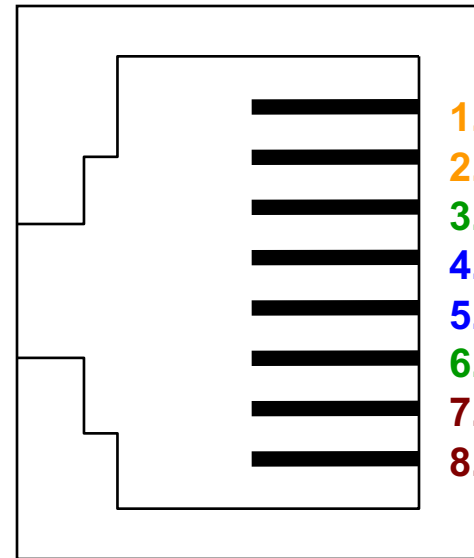


RJ-45 Color Code



1. White/Green
2. Green
3. White/Orange
4. Blue
5. White/Blue
6. Orange
7. White/Brown
8. Brown

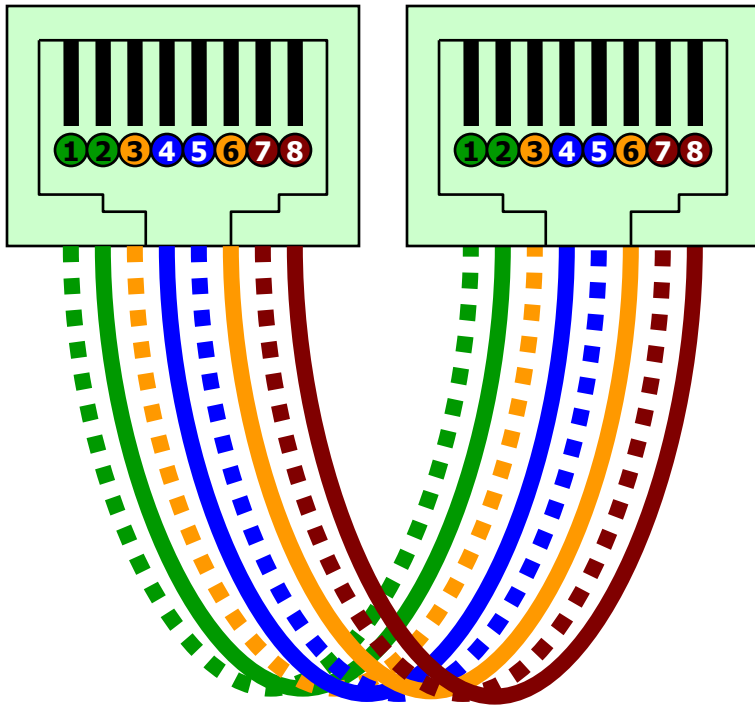
EIA/TIA 568 A



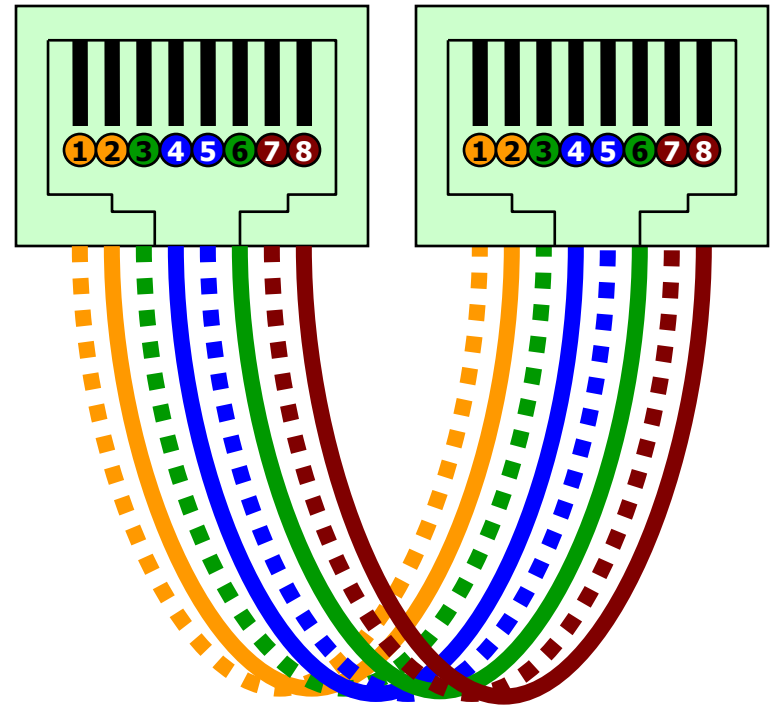
1. White/Orange
2. Orange
3. White/Green
4. Blue
5. White/Blue
6. Green
7. White/Brown
8. Brown

EIA/TIA 568 B

Straight-Thru Cable

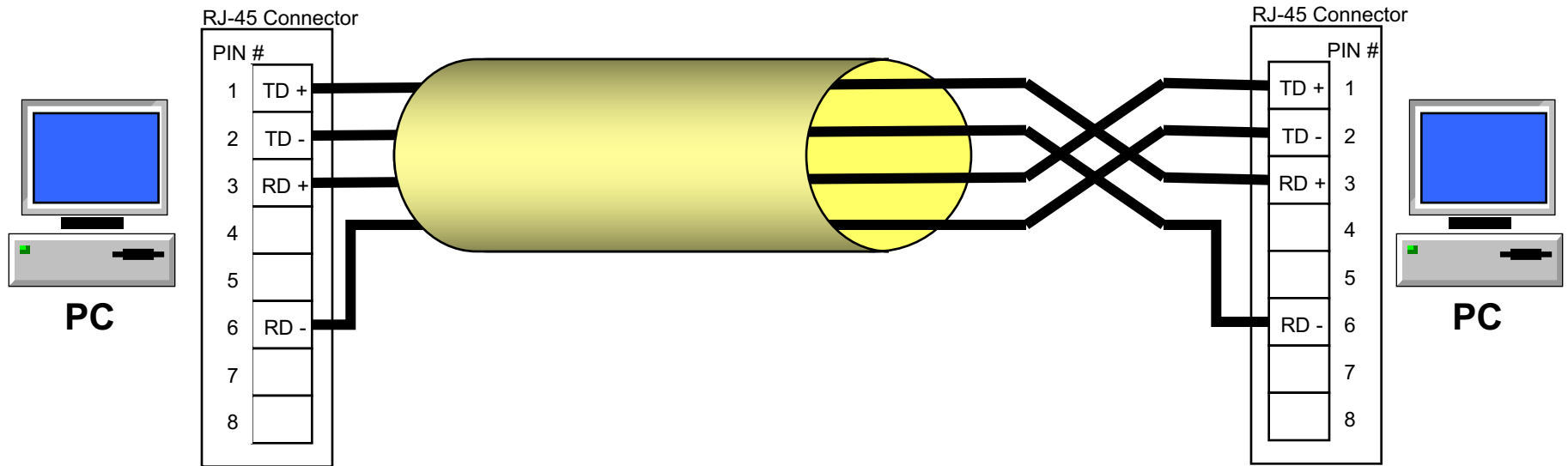


EIA/TIA 568 A

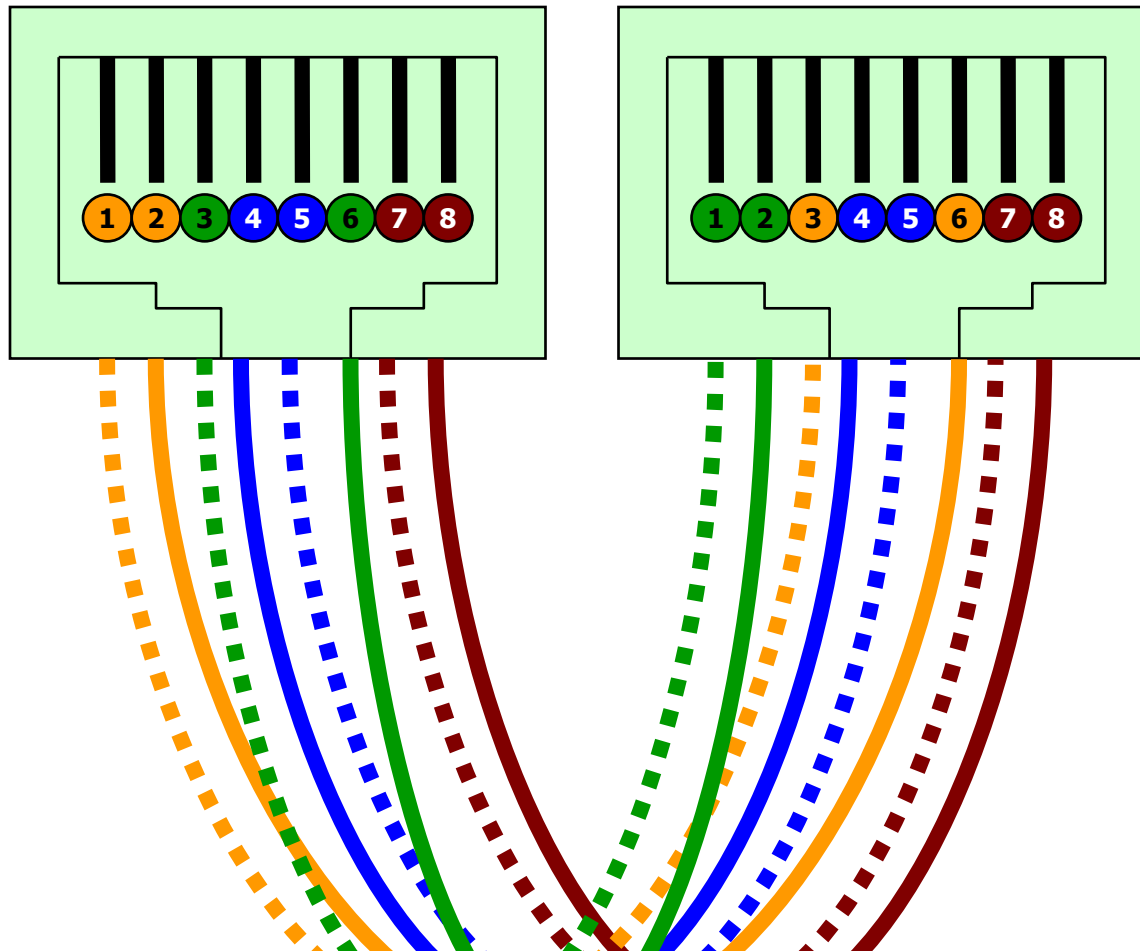


EIA/TIA 568 B

Ethernet Crossover Cable



Crossover Cable



Rollover Cable

